

MILIBARSKI MANOMETER Tip P1549, P1550 / MILIBAR PRESSURE GAUGE Type P1549, P1550

P1549, P1550

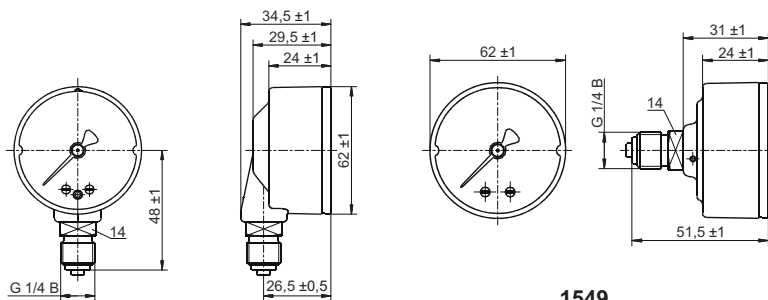


CLASS
2,5

Milibarski manometer s kapsulo / Milibar pressure gauge with capsule

material / material: ohišje / body.....plastika (črna) / plastic (black)
 priključek / connector.....bakrena zlitina / copper alloy
 cev / tube.....bakrena zlitina / copper alloy
 razred točnosti / accuracy class.....2,5
 nazivna velikost / nominal size.....Ø 63 G1/4" B
 merilno območje / measuring ranges.....-400mbar -0 do/up to -60mbar -0; 0-60mbar do/up to 0-400mbar

Priključek / Connection location: **P1549**.....spodaj / bottom
P1550.....zadaj / back



1550

1549

KODA NAROČANJA / ORDER CODE:

Tip / Type:

P1549
P1550

merilno območje
measuring ranges

- -60...0mbar* - 0...160mbar
- -100...0mbar* - 0...250mbar
- -250...0mbar* - 0...400mbar
- -400...0mbar* - 0...600mbar*
- 0...100mbar

za ostala območja kontaktirajte dobavitelja
for other ranges, contact supplier

*ni standard za 1550 / not standard for 1550

MILIBARSKI MANOMETER Tip P1553 / MILIBAR PRESSURE GAUGE Type P1553

P1553

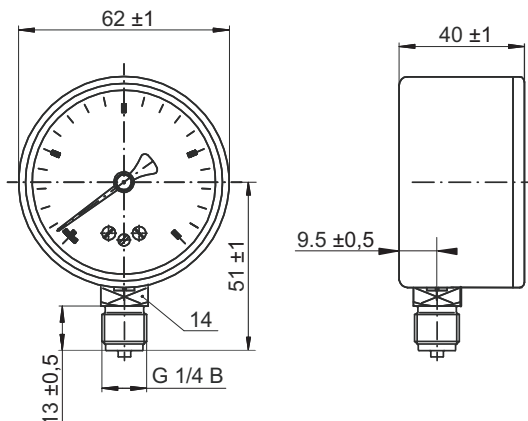


CLASS
1,6

Milibarski manometer s kapsulo / Milibar pressure gauge with capsule

material / material: ohišje / body.....jeklo (črna) / steel (black)
 priključek / connector.....bakrena zlitina / copper alloy
 cev / tube.....bakrena zlitina / copper alloy
 razred točnosti / accuracy class.....1,6
 nazivna velikost / nominal size.....Ø 63 G1/4" B
 merilno območje / measuring ranges.....0-40mbar do/up to 0-400mbar
 možna nastavitve ničle / zero calibration available

Priključek / Connection location:.....spodaj / bottom



KODA NAROČANJA / ORDER CODE:

Tip / Type:

P 1553

merilno območje
measuring ranges

- 0...40mbar
- 0...60mbar
- 0...100mbar
- 0...160mbar
- 0...250mbar
- 0...400mbar
- 0...600mbar

za ostala območja kontaktirajte dobavitelja
for other ranges, contact supplier