

**MANOMETRI ZA INDUSTRIJSKE APLIKACIJE /
INDUSTRIAL PRESSURE GAUGES**

MANOMETER Tip P1453, P1454 / PRESSURE GAUGE Type P1453, P1454

Glicerinski manometer tlaka z Bourdonovo cevjo. Glycerine pressure gauge with Bourdon tube.

Material/material	ohišje/body	nerjavno jeklo/stainless steel
	priključek/connector	medenina/brass
	Bourdonova cev/ Bourdon tube	<400bar ≥400bar
Nazivna velikost/nominal size	Ø 63 G1/4" B	
Razred točnosti/accuracy class	1,6	
Merilno območje/measuring ranges	-1bar - 0; 0-1bar do/up to 0-1000bar	
Priključek/Connection location	P1453	zadaj/back
	P1454	spodaj/bottom

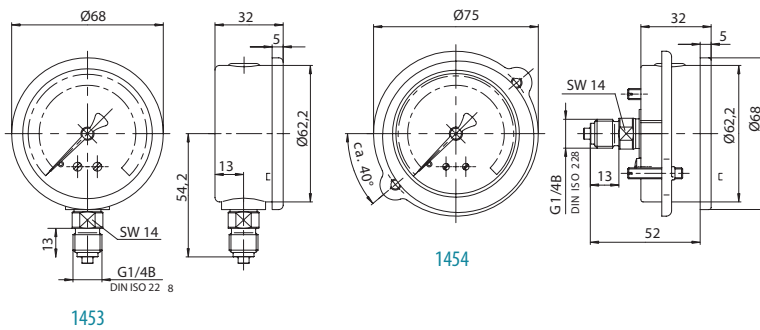
P1453, P1454



CLASS 1,6

GLYCERIN

Primer naročanja / how to order:



Tip/Type	P1453 P1454
Merilno območje Measuring ranges	<ul style="list-style-type: none"> - -1...0bar - -1...0...1,5bar - -1...0...3bar - -1...0...5bar - 0...1bar - 0...1,6bar - 0...2,5bar - 0...4bar - 0...6bar - 0...10bar - 0...16bar - 0...25bar - 0...40bar - 0...60bar - 0...100bar - 0...160bar - 0...250bar - 0...400bar - 0...600bar - 0...1000bar
Opcija pritrditve: Fixation options:	<ul style="list-style-type: none"> - 0 (brez/without) - F (pritrdilni obroč/ front flange) - C (pritrdilni nosilec/ U-clamp)

za ostala območja kontaktirajte
dobavitelja / for other ranges,
contact supplier

MANOMETER Tip P1533, P1534 / PRESSURE GAUGE Type P1533, P1534

Manometer z Bourdonovo cevjo. Pressure Gauge with Bourdon tube.

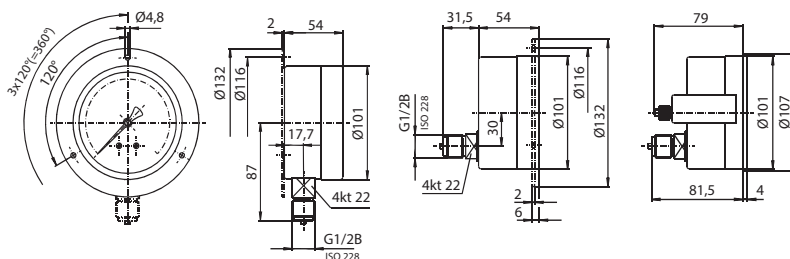
Material/material	ohišje/body	nerjavno jeklo/stainless steel
	priključek/connector	bakrena zlitina/copper alloy
	Bourdonova cev/ Bourdon tube	<60bar ≥60bar
Nazivna velikost/nominal size	Ø 100 G1/2" B	
Razred točnosti/accuracy class	1,0	
Merilno območje/measuring ranges	-1bar - 0; 0-0,6bar do/up to 0-600bar	
Priključek/Connection location	P1533	spodaj/bottom
	P1534	ne sredinsko zadaj/back, eccentric

P1533, P1534



CLASS 1,0

Primer naročanja / how to order:



Tip/Type	P1533 P1534
Merilno območje Measuring ranges	<ul style="list-style-type: none"> - -0,6...0bar* - -1...0bar - -1...0...0,6bar* - -1...0...1,5bar* - -1...0...3bar* - -1...0...5bar* - -1...0...9bar* - -1...0...15bar* - 0...0,6bar - 0...1bar - 0...1,6bar* - 0...2,5bar - 0...4bar - 0...6bar - 0...10bar - 0...16bar - 0...25bar - 0...40bar - 0...60bar - 0...100bar* - 0...160bar - 0...250bar - 0...400bar - 0...600bar
Opcija pritrditve: Fixation options:	<ul style="list-style-type: none"> - 0 (brez/without) - F (pritrdilni obroč/ front flange) - C (pritrdilni nosilec/ U-clamp)

*za 1534 dobavljivo po naročilu
for 1534 available on request

MERILNA IN VARNOSTNA OPREMA /
MEASURING AND SAFETY EQUIPMENT