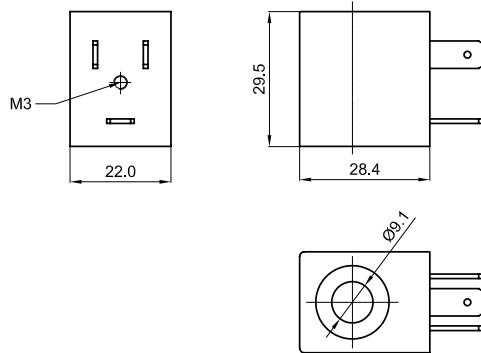


Elektromagnetne tuljave / Solenoid coils

MS22

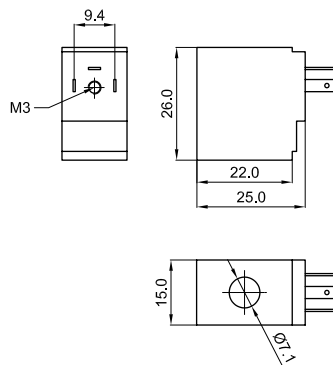


Elektromagnetna tuljava Solenoid Coil

Temperatura / Temperature	+5° ~ +60°
Izolacija / Insulation Class	F-Class
Odstopanje napetosti Voltage tolerances	± 10 %

MS2212DC.....12 V DC / / 3 W
MS2224DC.....24 V DC / / 3 W
MS2224AC.....24 V AC / 50/60 Hz / 6,5 W
MS22110AC.....110 V AC / 50/60 Hz / 6,5 W
MS22220AC.....220 V AC / 50/60 Hz / 6,5 W

MS15



Elektromagnetna tuljava Solenoid Coil

Temperatura / Temperature	+5° ~ +60°
Izolacija / Insulation Class	F-Class
Odstopanje napetosti Voltage tolerances	± 10 %

MS1512DC.....12 V DC / / 2,5 W
MS1524DC.....24 V DC / / 2,5 W
MS1524AC.....24 V AC / 50/60 Hz / 5 W
MS15110AC.....110 V AC / 50/60 Hz / 5 W
MS15220AC.....220 V AC / 50/60 Hz / 5 W

MS30

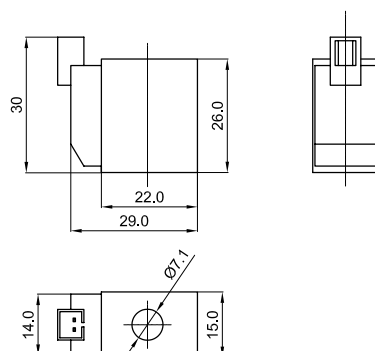


Elektromagnetna tuljava Solenoid Coil

Temperatura / Temperature	-50° ~ +50°
Odstopanje napetosti Voltage tolerances	± 10 %

MS30220VAC.....220 V AC / EExm II 2G T4/T5 ATEX 10 m
MS30220VAC.....220 V AC / EExm II 2G T4/T5 ATEX 5 m
MS3024V.....24 V / 50/60 Hz / EExm II 2G T4/T5 ATEX

MS2



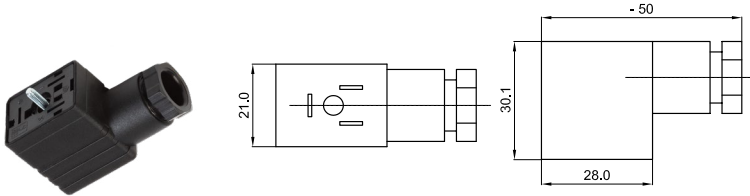
Elektromagnetna tuljava Solenoid Coil

Temperatura / Temperature	+5° ~ +60°
Izolacija / Insulation Class	F-Class
Odstopanje napetosti Voltage tolerances	± 10 %

MS224DC.....24 V DC / / 2,5 W

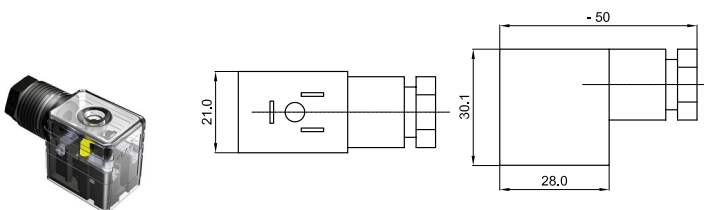
Konektorji / Connectors

KON22



Konektor za elektromagnete MS22
Connector for Solenoid Coils MS22

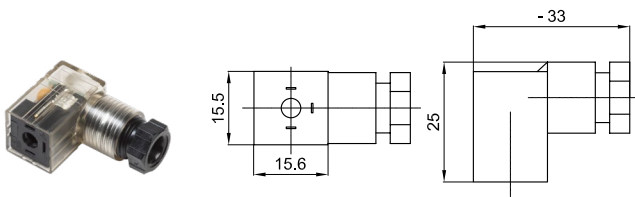
KON2224 LED / KON22220 LED



KON2224 LED.....Konektor za elektromagnete MS2224DC
Connector for Solenoid Coils MS2224DC

KON22220 LED.....Konektor za elektromagnete MS22220AC
Connector for Solenoid Coils MS22220AC

KON15



Konektor za elektromagnete MS15
Connector for Solenoid Coils MS15

*Opcija LED / Option LED

KON206 / KON210



Konektor za elektromagnet MS2
Connector for Solenoid Coil MS2

KON206.....dolžina žic / Cable length.....0,6 m
KON210.....dolžina žic / Cable length.....1 m