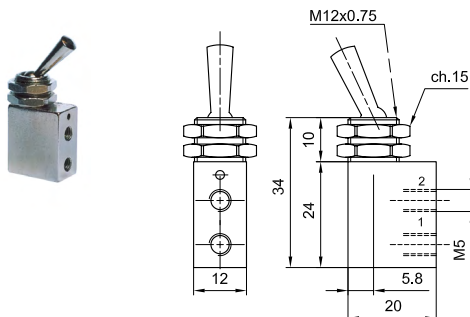


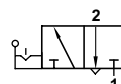
Ročno krmiljeni ventili / Manually actuated valves

H32M5

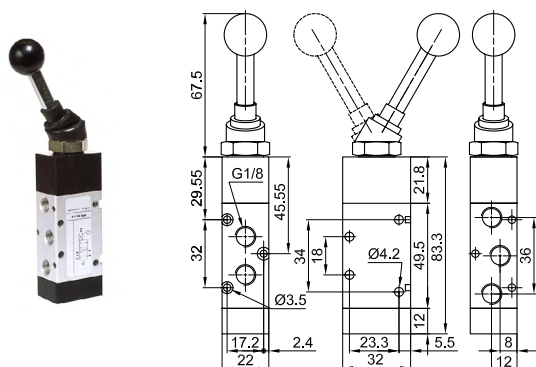


3/2 ventil, normalno zaprt, ročno krmiljen, aktiviranje s stikalom
3/2 valve, N.C., Hand Lever Operated

Temperatura / Temperature	max. +60 °C
Tlak / Pressure	0–10 bar
Pretok / Flow (5 bar)	100 l/min
Navoj / Thread	M5

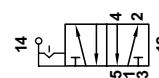


RR5218

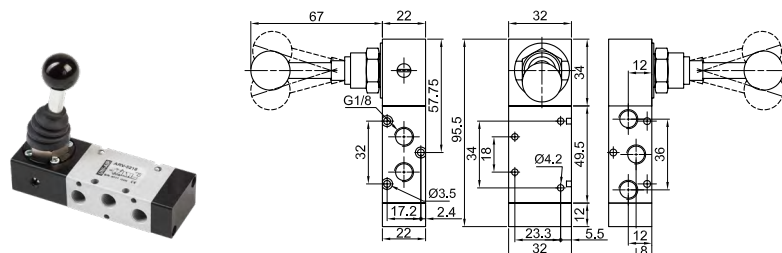


5/2 ventil, normalno zaprt, ročno krmiljen, aktiviranje z ročico
5/2 valve, N.C., Hand Lever Operated

Temperatura / Temperature	max. +60 °C
Tlak / Pressure	1,5–10 bar
Pretok / Flow (5 bar)	550 l/min
Navoj / Thread	G 1/8

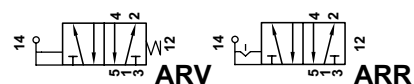


ARV5218 ARR5218

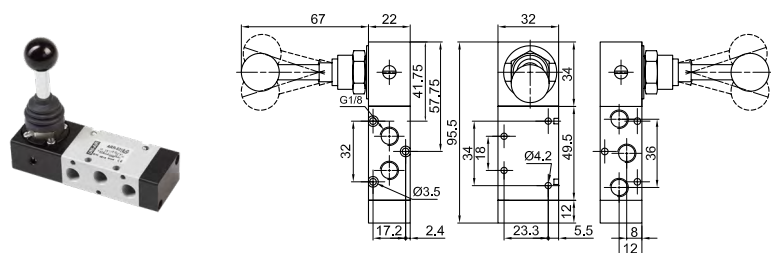


5/2 ventil, normalno zaprt, ročno krmiljen, aktiviranje z ročico
5/2 valve, Hand Lever Operated

Temperatura / Temperature	max. +60 °C
Tlak / Pressure	0–10 bar
Pretok / Flow (5 bar)	550 l/min
Navoj / Thread	G 1/8

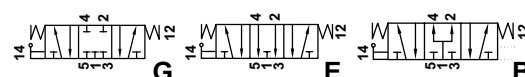


ARV5318 G / E / B



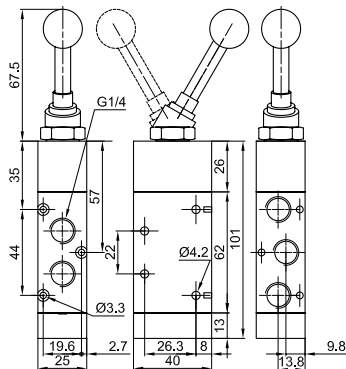
5/3 ventil, normalno zaprt, ročno krmiljen, aktiviranje z ročico
5/3 valve, N.C., Hand Lever Operated

Temperatura / Temperature	max. +60 °C
Tlak / Pressure	0–10 bar
Pretok / Flow (5 bar)	100 l/min
Navoj / Thread	G 1/8



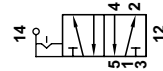
i Vsi ventili so mazani s trajnim mazivom. Mazanje pri filtriranem in sušenem zraku ni potrebno!
All valves are greased with permanent grease. Lubrication is not necessary when filtered, dry air is used!

RR5214

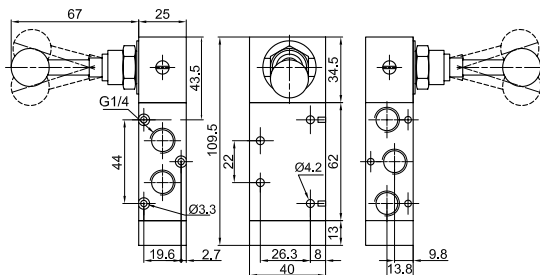


5/2 ventil, ročno krmiljen (ročka ostane v poziciji)
5/2 valve, Hand Lever Operated (handle stays in position)

Temperatura / Temperature	max. +60 °C
Tlak / Pressure	0–10 bar
Pretok / Flow (5 bar)	1000 l/min
Navoj / Thread	G 1/4



ARV5214 ARR5214

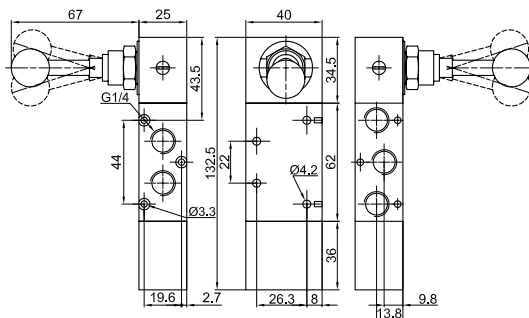


5/2 ventil, ročno krmiljen, aktiviranje z ročko
(ARV ne ostane v poziciji, ARR ostane v poziciji)
5/2 Valve, Hand Lever Operated
(ARV Spring Return, ARR stays in position)

Temperatura / Temperature	max. +60 °C
Tlak / Pressure	0–10 bar
Pretok / Flow (5 bar)	1000 l/min
Navoj / Thread	G 1/4

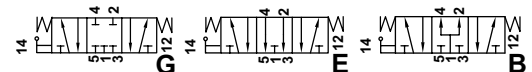


ARV5314 G / E / B

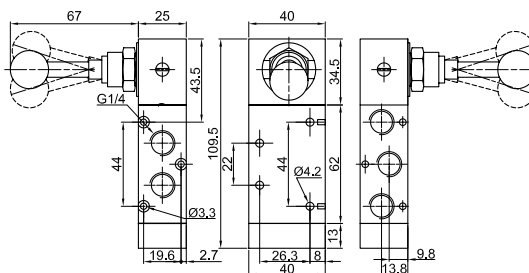


5/3 ventil, ročno krmiljen, aktiviranje z ročko
(ne ostane v poziciji)
5/3 valve, Hand Lever Operated (spring Return)

Temperatura / Temperature	max. +60 °C
Tlak / Pressure	0–10 bar
Pretok / Flow (5 bar)	1000 l/min
Navoj / Thread	G 1/4

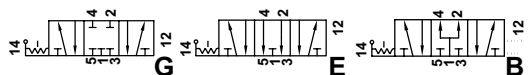


ARR5314 G / E / B



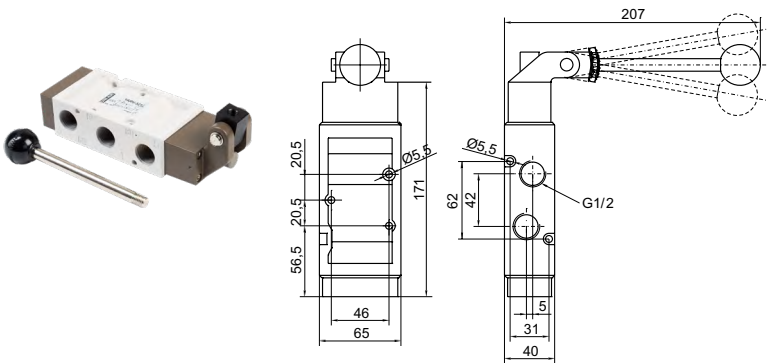
5/3 ventil, ročno krmiljen, aktiviranje z ročko
(ostane v poziciji)
5/3 valve, Hand Lever Operated (handle stays in position)

Temperatura / Temperature	max. +60 °C
Tlak / Pressure	0–10 bar
Pretok / Flow (5 bar)	1000 l/min
Navoj / Thread	G 1/4



Vsi ventili so mazani s trajnim mazivom. Mazanje pri filtriranem in sušenem zraku ni potrebno!
All valves are greased with permanent grease. Lubrication is not necessary when filtered, dry air is used!

YARV5212 YARR5212

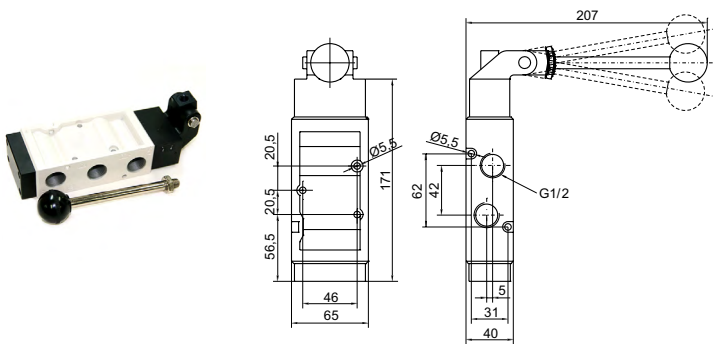


5/2 ventil, ročno krmiljen, aktiviranje z ročko
(ARV ne ostane v poziciji, ARR ostane v poziciji)
5/2 valve, Hand Lever Operated
(ARV Spring Return, ARR stays in position)

Temperatura / Temperature	max. +60 °C
Tlak / Pressure	0–8 bar
Pretok / Flow (5 bar)	5000 l/min
Navoj / Thread	G 1/2

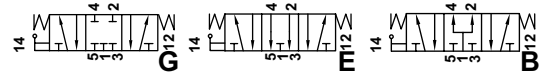


YARV5312 G / E / B

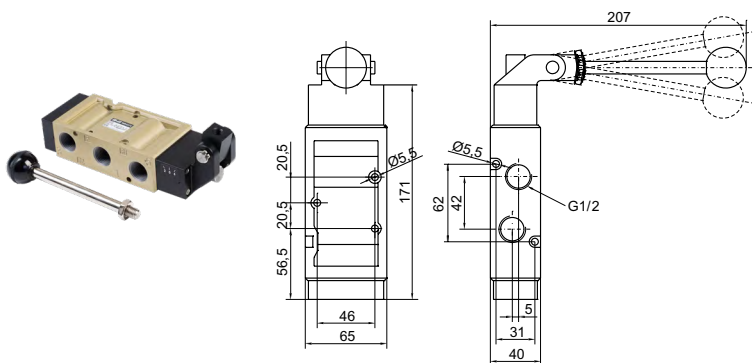


5/3 ventil, ročno krmiljen, aktiviranje z ročko
(ne ostane v poziciji)
5/3 valve, Hand Lever Operated (spring Return)

Temperatura / Temperature	max. +60 °C
Tlak / Pressure	0–8 bar
Pretok / Flow (5 bar)	5000 l/min
Navoj / Thread	G 1/2

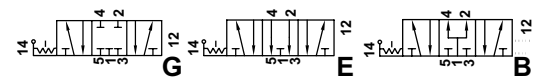


YARR5312 G / E / B



5/3 ventil, ročno krmiljen, aktiviranje z ročko
(ostane v poziciji)
5/3 valve, Hand Lever Operated (handle stays in position)

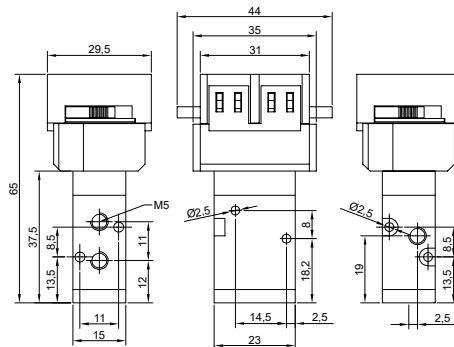
Temperatura / Temperature	max. +60 °C
Tlak / Pressure	0–8 bar
Pretok / Flow (5 bar)	5000 l/min
Navoj / Thread	G 1/2



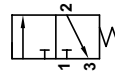
Vsi ventili so mazani s trajnim mazivom. Mazanje pri filtriranem in sušenem zraku ni potrebno!
All valves are greassed with permanent grease. Lubrication is not necessary when filtered, dry air is used!

YSV32M5

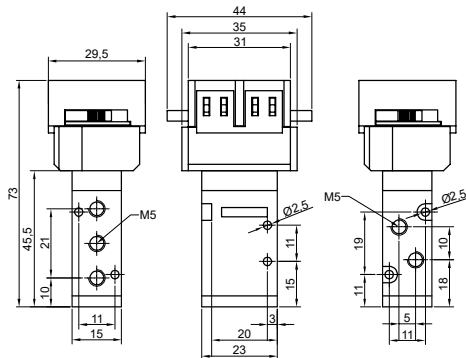

i Tipke stran 70
Buttons page 70


3/2 ventil, aktiviranje s tipko
 3/2 position Direct Operation

Temperatura / Temperature	max. +60 °C
Tlak / Pressure	0–8 bar
Pretok / Flow (5 bar)	170 l/min
Navoj / Thread	M5


YSV52M5

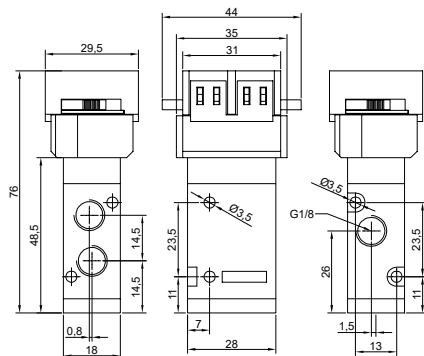

i Tipke stran 70
Buttons page 70


5/2 ventil, aktiviranje s tipko
 5/2 position Direct Operation

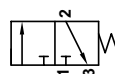
Temperatura / Temperature	max. +60 °C
Tlak / Pressure	0–8 bar
Pretok / Flow (5 bar)	170 l/min
Navoj / Thread	M5


YSV3218

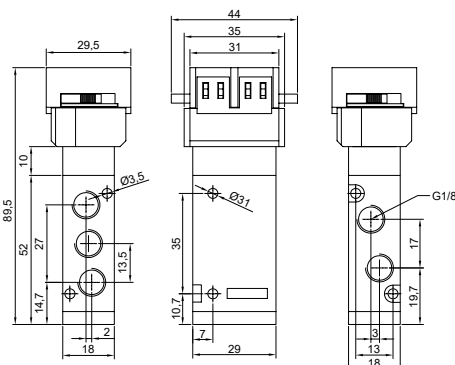

i Tipke stran 70
Buttons page 70


3/2 ventil, aktiviranje s tipko
 3/2 position Direct Operation

Temperatura / Temperature	max. +60 °C
Tlak / Pressure	0–8 bar
Pretok / Flow (5 bar)	650 l/min
Navoj / Thread	G 1/8


YSV5218


i Tipke stran 70
Buttons page 70


5/2 ventil, aktiviranje s tipko
 5/2 Position Direct Operation

Temperatura / Temperature	max. +60 °C
Tlak / Pressure	0–8 bar
Pretok / Flow (5 bar)	650 l/min
Navoj / Thread	G 1/8



i Vsi ventili so mazani s trajnim mazivom. Mazanje pri filtriranem in sušenem zraku ni potrebno!
 All valves are greased with permanent grease. Lubrication is not necessary when filtered, dry air is used!

Tipke, nožno krmiljeni ventili / Buttons, foot operated valves

YT22 B / G / Y / R

Tipka / Push Button
B – črna / black
G – zelena / green
Y – rumena / yellow
R – rdeča / red



YP22

Tipka, goba
Spring Return Switch



YPR22

Tipka, goba, zaskočna
Turn to Unlock Switch

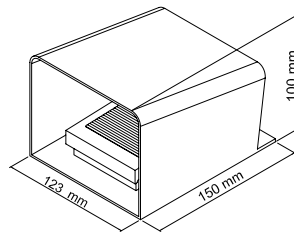
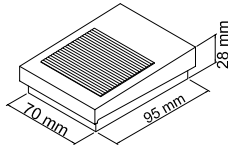


YN22

Preklopnik zasučni
2-Position Selector Switch



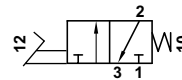
PED324, PED324Z



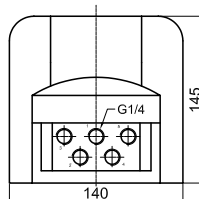
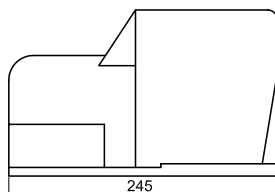
*Opcija z zaščito.
Option with shield.

**3/2 ventil, nožno krmiljen, aktiviranje s stopalko
(ne ostane v poziciji)**
3/2 valve, Foot Treadle Operated (spring Return)

Temperatura / Temperature	max. +60 °C
Tlak / Pressure	0–10 bar
Pretok / Flow (5 bar)	100 l/min
Priključek / Connector	cev / tube 4 mm



PED5214, PED5214R



5/2 ventil, nožno krmiljen, aktiviranje s stopalko
5/2 valve, Foot Treadle Operated

Temperatura / Temperature	max. +60 °C
Tlak / Pressure	0–10 bar
Pretok / Flow (5 bar)	1200 l/min
Priključek / Connector	G 1/4

