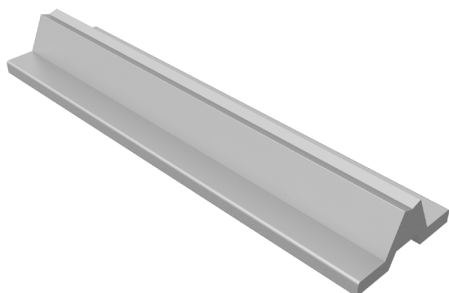


VZDOLŽNA PODPORA OKROGLIH VODIL LS / LINEAR SUPPORT GUIDE LS

TEHNIČNE KARAKTERISTIKE / TECHNICAL PROPERTIES



| PODPORE OKROGLIH VODIL / LINEAR SUPPORT GUIDES | |
|--|--|
| Tip podpore / Support type | LS |
| Opis / Description | Vzdolžna podpora okroglih vodil LS / Linear support guide LS |
| Material / Material | W. Nr. 3.3208 / AlMgSi0,7 F25 |

PRIMER NAROČANJA / HOW TO ORDER

LS - 12 - 1000 - 120 - 25 / 15

Tip podpore
 Support type:
 - LS

Velikost / Support size:
 - Izberi iz tabele / Select from table

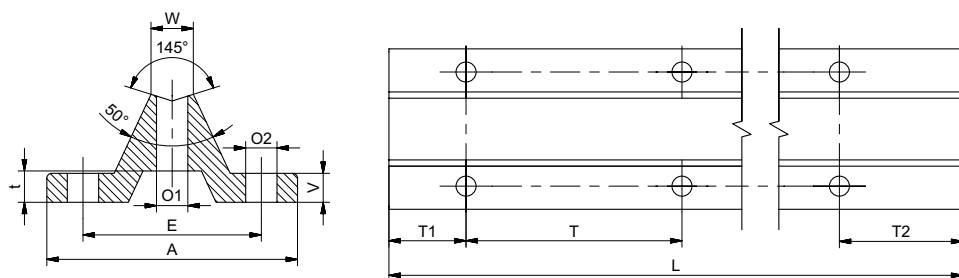
Dolžina L / Length L [mm]:

Razmik med luknjami T / Pitch T [mm]:
 - Pusti prazno: brez lukenj
 Leave blank: without holes
 - Izberi iz tabele / Select from table

Razdalja do prve luknje T1 / Starting hole pitch T1 [mm]:
 - Pusti prazno: brez lukenj
 Leave blank: without holes
 - Izberi iz tabele / Select from table

Razdalja do zadnje luknje T2 / End hole pitch T2 [mm]:
 - Razdalja do zadnje luknje T2 se izračuna na osnovi L, T1 in T
 End hole pitch T2 is calculated based on L, T1 and T

DIMENZIJE IN OBDELAVE / DIMENSIONS AND MACHINING

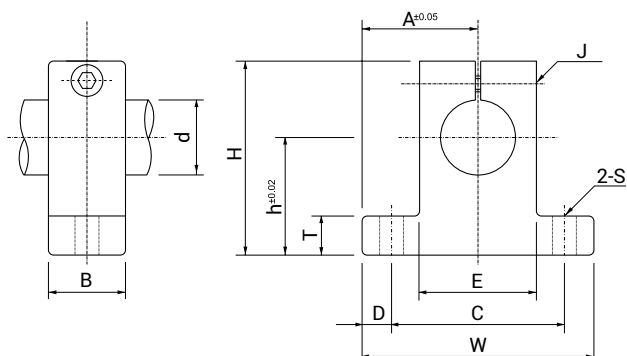


| Dimenzije Dimensions [mm] | | | | | | | | | | | | |
|------------------------------|----|---|------|----|------|-----|-----|------|-----|--------|--------|------------|
| ød | A | V | W | E | t | O1 | O2 | kg/m | T | T1 min | T1 max | L max [mm] |
| 12 | 40 | 5 | 5,8 | 29 | 5 | 4,5 | 4,5 | 0,75 | 75 | 5 | 70 | 3550 |
| | | | | | | | | | 120 | 5 | 115 | |
| 16 | 45 | 5 | 7 | 33 | 6 | 5,5 | 5,5 | 0,92 | 100 | 6 | 94 | 3550 |
| | | | | | | | | | 150 | 6 | 144 | |
| 20 | 52 | 6 | 8,3 | 37 | 6,5 | 6,5 | 6,5 | 1,33 | 100 | 7 | 93 | 4150 |
| | | | | | | | | | 150 | 7 | 143 | |
| 25 | 57 | 6 | 10,8 | 42 | 8,5 | 9 | 6,5 | 1,52 | 120 | 8 | 112 | 4150 |
| | | | | | | | | | 200 | 8 | 192 | |
| 30 | 69 | 7 | 11 | 51 | 10,5 | 11 | 9 | 1,92 | 150 | 10 | 140 | 3550 |
| | | | | | | | | | 200 | 10 | 190 | |
| 40 | 73 | 8 | 15 | 55 | 10,5 | 11 | 9 | 2,64 | 200 | 10 | 190 | 3550 |
| | | | | | | | | | 300 | 10 | 290 | |

i Nudimo tudi strojne obdelave po tehničnih risbah naročnika.
 We also offer machining options according to customer's drawing.

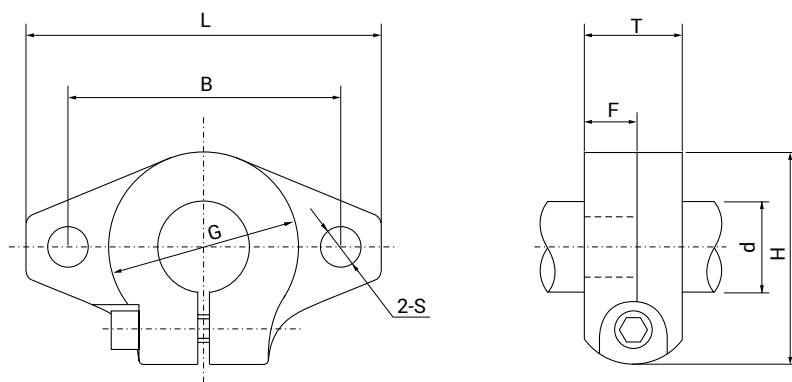
i toleranca odreza / cut tolerance
 ISO 2768-1M
 ISO 2768-2L

PODPORA OKROGLIH VODIL SH / LINEAR SUPPORT GUIDES SH



| Tip Type | Dimenzije Dimensions [mm] | | | | | | | | | | | | Teža Weight [g] |
|-------------|------------------------------|----|----|-----|------|----|----|-----|-----|----|-----|-----|--------------------|
| | d | h | A | W | H | T | E | D | C | B | S | J | |
| SH 8 | 8 | 20 | 21 | 42 | 32,8 | 6 | 18 | 5 | 32 | 14 | 5,5 | M4 | 24 |
| SH 10 | 10 | 20 | 21 | 42 | 32,8 | 6 | 18 | 5 | 32 | 14 | 5,5 | M4 | 24 |
| SH 12 | 12 | 23 | 21 | 42 | 37,5 | 6 | 20 | 5 | 32 | 14 | 5,5 | M4 | 30 |
| SH 16 | 16 | 27 | 24 | 48 | 44 | 8 | 25 | 5 | 38 | 16 | 5,5 | M4 | 40 |
| SH 20 | 20 | 31 | 30 | 60 | 51 | 10 | 30 | 7,5 | 45 | 20 | 6,6 | M5 | 70 |
| SH 25 | 25 | 35 | 35 | 70 | 60 | 12 | 38 | 7 | 56 | 24 | 6,6 | M6 | 130 |
| SH 30 | 30 | 42 | 42 | 84 | 70 | 12 | 44 | 10 | 64 | 28 | 9 | M6 | 180 |
| SH 40 | 40 | 60 | 57 | 114 | 96 | 15 | 60 | 12 | 90 | 36 | 11 | M8 | 420 |
| SH 50 | 50 | 70 | 63 | 126 | 120 | 18 | 74 | 13 | 100 | 40 | 14 | M12 | 750 |
| SH 60 | 60 | 80 | 74 | 148 | 136 | 18 | 90 | 14 | 120 | 45 | 14 | M12 | 1100 |

PODPORA OKROGLIH VODIL SHF/ LINEAR SUPPORT GUIDES SHF



| Tip Type | Dimenzije Dimensions [mm] | | | | | | | | Pritrditveni vijak Mounting bolt | Teža Weight [g] |
|-------------|------------------------------|-----|----|----|-----|----|----|-----|-------------------------------------|--------------------|
| | d | L | T | F | B | G | H | S | | |
| SHF 10 | 10 | 43 | 10 | 5 | 32 | 20 | 24 | 5,5 | M5 | 13 |
| SHF 12 | 12 | 47 | 13 | 7 | 36 | 25 | 28 | 5,5 | M5 | 20 |
| SHF 16 | 16 | 50 | 16 | 8 | 40 | 28 | 31 | 5,5 | M5 | 27 |
| SHF 20 | 20 | 60 | 20 | 8 | 48 | 34 | 37 | 7 | M6 | 40 |
| SHF 25 | 25 | 70 | 25 | 10 | 56 | 40 | 42 | 7 | M6 | 60 |
| SHF 30 | 30 | 80 | 30 | 12 | 64 | 46 | 50 | 9 | M8 | 110 |
| SHF 40 | 40 | 102 | 40 | 16 | 80 | 56 | 67 | 12 | M10 | 510 |
| SHF 50 | 50 | 122 | 50 | 19 | 96 | 70 | 83 | 14 | M12 | 890 |
| SHF 60 | 60 | 140 | 60 | 23 | 112 | 82 | 95 | 14 | M12 | 1500 |